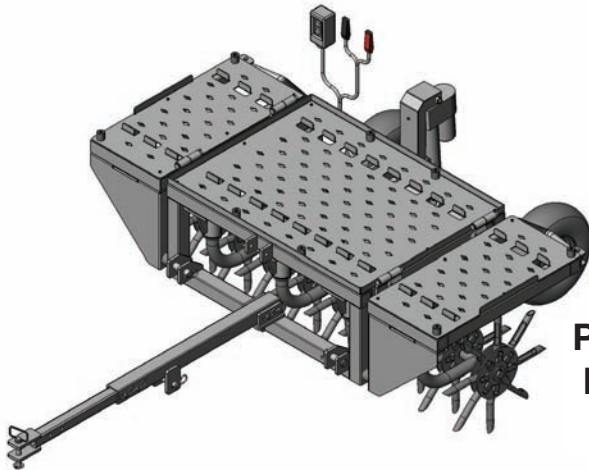




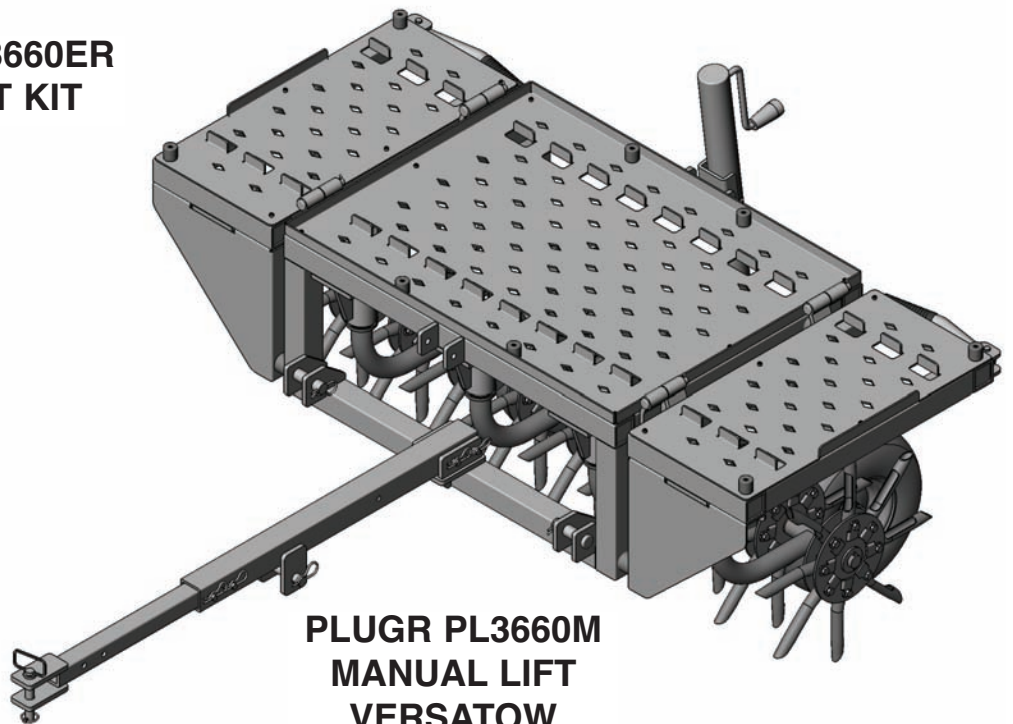
SOURCEONE
OUTDOOR POWER EQUIPMENT



**PLUGR PL3660E
ELECTRIC LIFT
VERSATOW**



**PLUGR PL3660ER
RETROFIT KIT**



**PLUGR PL3660M
MANUAL LIFT
VERSATOW**

SERIAL NUMBER:

DATE PURCHASED:

**INSTRUCTIONS AND PARTS MANUAL
PLUGR PL3660 VERSATOW 60" TURF AERATOR**



PLUGR is a registered trademark of SourceOne Inc., a subsidiary of IMSCORP, Lincoln, NE.
1030 SW 6th Street, Lincoln, NE 68522 • (888) 418-9065 • Fax (402) 474-6605
Website: www.sourceonex.com/plugr • Email: OPESales@sourceonex.com

PLUGR PL3660 VERSATOW 60" TURF AERATOR MANUAL

OPERATING INSTRUCTIONS

The PL3660 VersaTow is a combination of a tow-behind aerator and a 3-point aerator with two wings for adjustable aeration widths. When used behind a tractor in the 3-point application, there are pins on each tine assembly that can be removed to allow tines to swivel, enabling the tractor to turn while still aerating with the tines in the ground. When being towed, the tine assemblies must be locked in place for proper tracking.

The PLUGR VersaTow is available in three models:

- PL3660M is a manual lift machine with a hand crank used to raise and lower the machine when not used in the 3-point application.
- PL3660E is an electric lift unit that has a liner actuator to raise and lower the machine when not used in the 3-point application. The power for the actuator must come from the towing vehicle's battery, using the clips provided.
- PL3660ER is a conversion kit to upgrade a manual lift unit to an electric lift unit. To install, remove the upper and lower bolts on the jack assembly, remove the jack and replace with the actuator assembly. Run the control cable to the front of the machine making sure the wiring harness does not come in contact with any moving part.

WHEN USED AS A TOW-BEHIND

When using the PL3660 as a towable aerator, the tow link should be in the down position and attached to the frame of the aerator using the two 7/16" X 3 1/2" clevis pins. The tow link is telescoping so that it can be extended to accommodate various vehicles. Make sure all five 3/8" X 2 1/2" lock pins are in place on the axle assembly to prevent the assembly from swiveling. When operating, the wings can either be up or down depending on the width of aeration desired. In normal conditions, there will be adequate weight for proper penetration when the wings are up; when wings are down, additional weight may be required.

Always raise PL3660 when going over obstacles such as irrigation heads or hard surfaces other than dirt.

WHEN IN 3 POINT APPLICATION

When used with a tractor and 3-point hook up, the inner and outer tow link should slide together and be in the upright position holding it to the frame with two 7/16" X 3 1/2" clevis pins. The two tabs on the outer tow link are for the center link on the 3-point. Remove the five 3/8" X 2 1/2" lock pins from tine axle to allow the assembly to swivel. Make sure wheel assembly is raised to its maximum position unless using for depth control in soft conditions.

MAINTENANCE INSTRUCTIONS

The PL3660 uses oil-light bearings, which are bronze bushings that are impregnated with oil; therefore there is no lubrication required on any of the tine assemblies. Grease wheel bearing every 50 hours.

To replace tines, remove 5/16" X 1 3/4" bolt, slide out tine and replace.

Prior to each use, thoroughly inspect all tine assemblies and tine attachment swivels for excessive wear.

SPECIFICATIONS

Machine Width	37" - 48" - 60"
Aeration Width Per Pass	36" - 48" - 60"
Hole Centers	6" x 7"
Hole Depth (Up to)	4"
Plug Diameter	5/8"
Approx. Sq. Ft. Per Hour (Up to)	175,000
Shipping Weight	575 lbs.
Actual Machine Weight	440 lbs.
Tire	13" Pneumatic
Nylatron Cam Bearings	

SAFETY INSTRUCTIONS *Instrucciones de Seguridad*

Turf aerators are designed exclusively for the purpose of the improvement of turf grass by removing "plugs" of existing turf to allow the flow of nutrients, water and oxygen to the roots. Any other use is inadvisable and can cause serious injury or death. *Los aireadores de césped son diseñados exclusivamente con el objetivo de mejorar el césped removiendo los tapones existentes de hierba para permitir el flujo de sustancias nutritivas, agua y oxígeno a las raíces. Cualquier otro uso no es aconsejable y puede causar serias heridas o la muerte.*

DO HACER:

- Always follow operating instructions. *Siempre seguir las instrucciones de operación.*
- Wear protective equipment including hearing protection, eye shields and proper footwear. *Usar equipo de protección incluyendo protección auditiva, lentes protectores y artículos de calzado apropiados.*
- Read and heed all warning labels affixed to the machine. *Leer y prestar atención a las etiquetas de advertencia adjuntas a la máquina.*
- Clear area to be aerated of all loose objects and all children. *Limpiar el área a ser ventilada de objetos sueltos y todos los niños.*
- Flag sprinkler heads and other hidden obstacles and holes. *Marcar las cabezas de los aspersores y otros obstáculos escondidos y agujeros.*
- Practice operation in an open area prior to operation in tight areas. *Practicar la operación en un área abierta antes de operar en áreas estrechas.*
- Keep hands and feet away from operating parts. *Mantener manos y pies fuera del alcance de las partes operadoras.*

DO NOT NO HACER:

- Operate on severe slopes (exceeding 15°). *Operar sobre cuevas severas (excediendo 15°).*
- Allow children to operate or be within 50' of operation. *Permitir a niños operarlo o que estén dentro de 50' de la operación.*
- Operate when dark or hard to see clearly. *Operar cuando está oscuro o difícil de ver claramente.*
- Allow feet to be placed under the rear of machine. *Permitir que los pies sean colocados bajo el reverso de la máquina.*
- Operate without instructions. *Operar sin instrucciones.*
- Allow others to operate without access to instructions. *Permitir a otros su operación sin acceso a las instrucciones.*
- Operate without warning labels clearly readable. *Operar sin las etiquetas de advertencia claramente legibles.*

**NEVER ALLOW CHILDREN TO OPERATE THIS EQUIPMENT
NUNCA PERMITIR A NIÑOS OPERAR ESTE EQUIPO**

MACHINE LABELS *Etiquetas de la Máquina*



Pinch Point

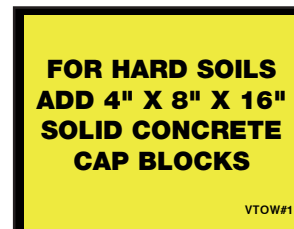


Keep Clear

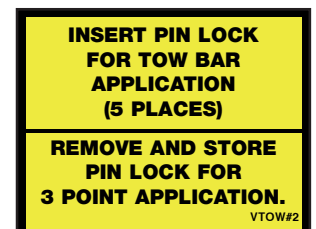
DO NOT OPERATE MACHINERY WITHOUT SAFETY LABELS. FREE REPLACEMENT LABELS ARE AVAILABLE UPON REQUEST BY CONTACTING SOURCEONE CUSTOMER SERVICE.



Hitch Mounting

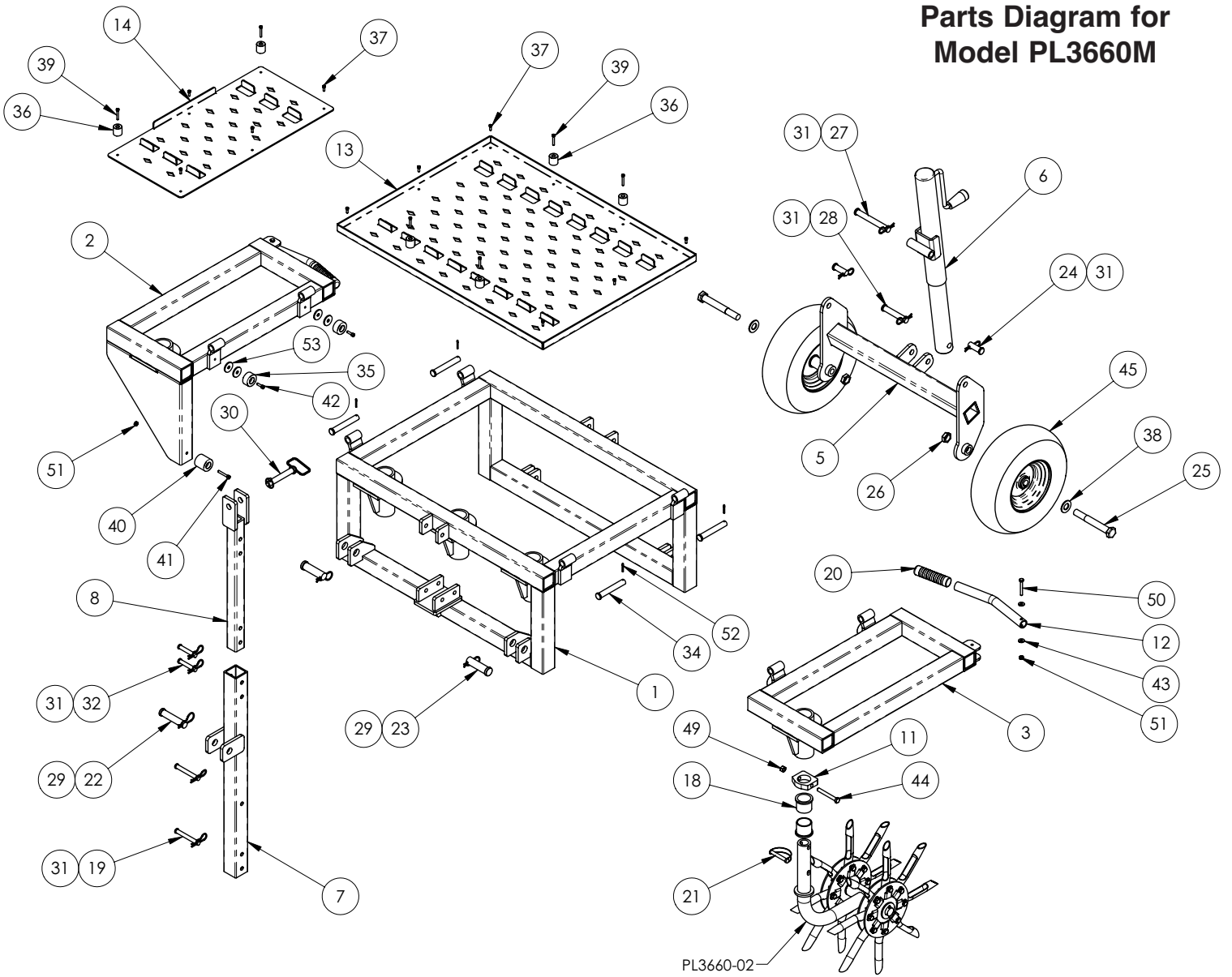


Add Blocks

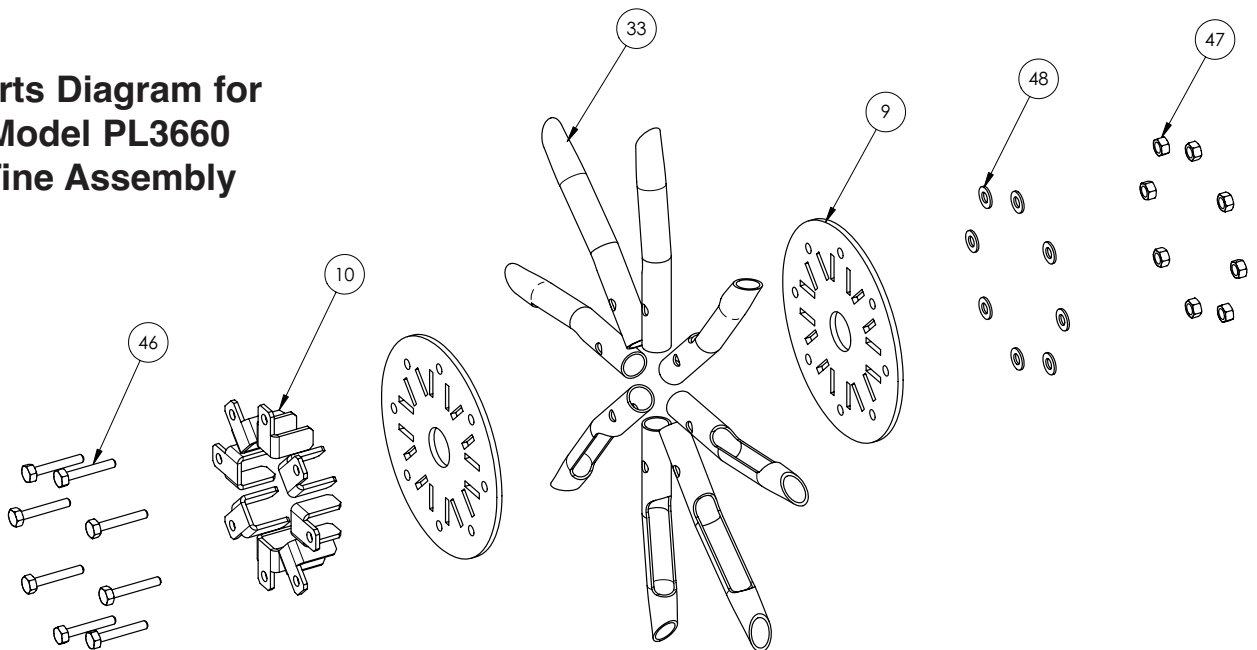


Pin Lock

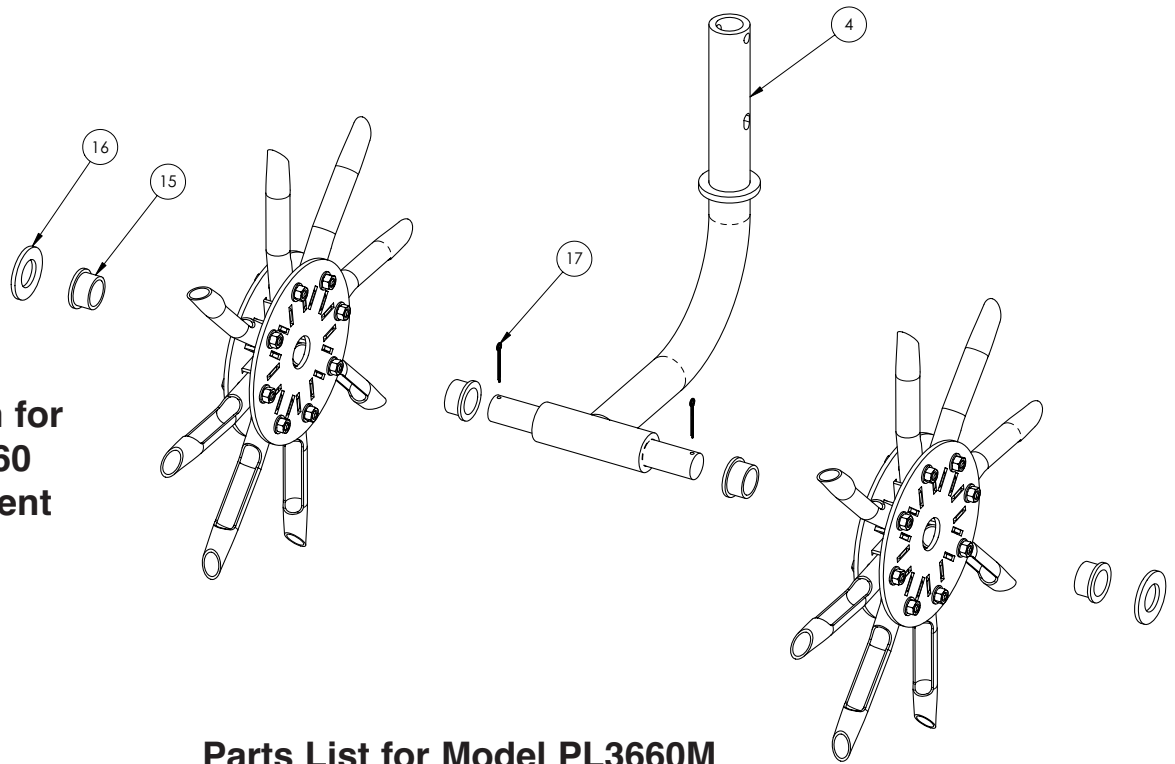
Parts Diagram for Model PL3660M



Parts Diagram for Model PL3660 Tine Assembly

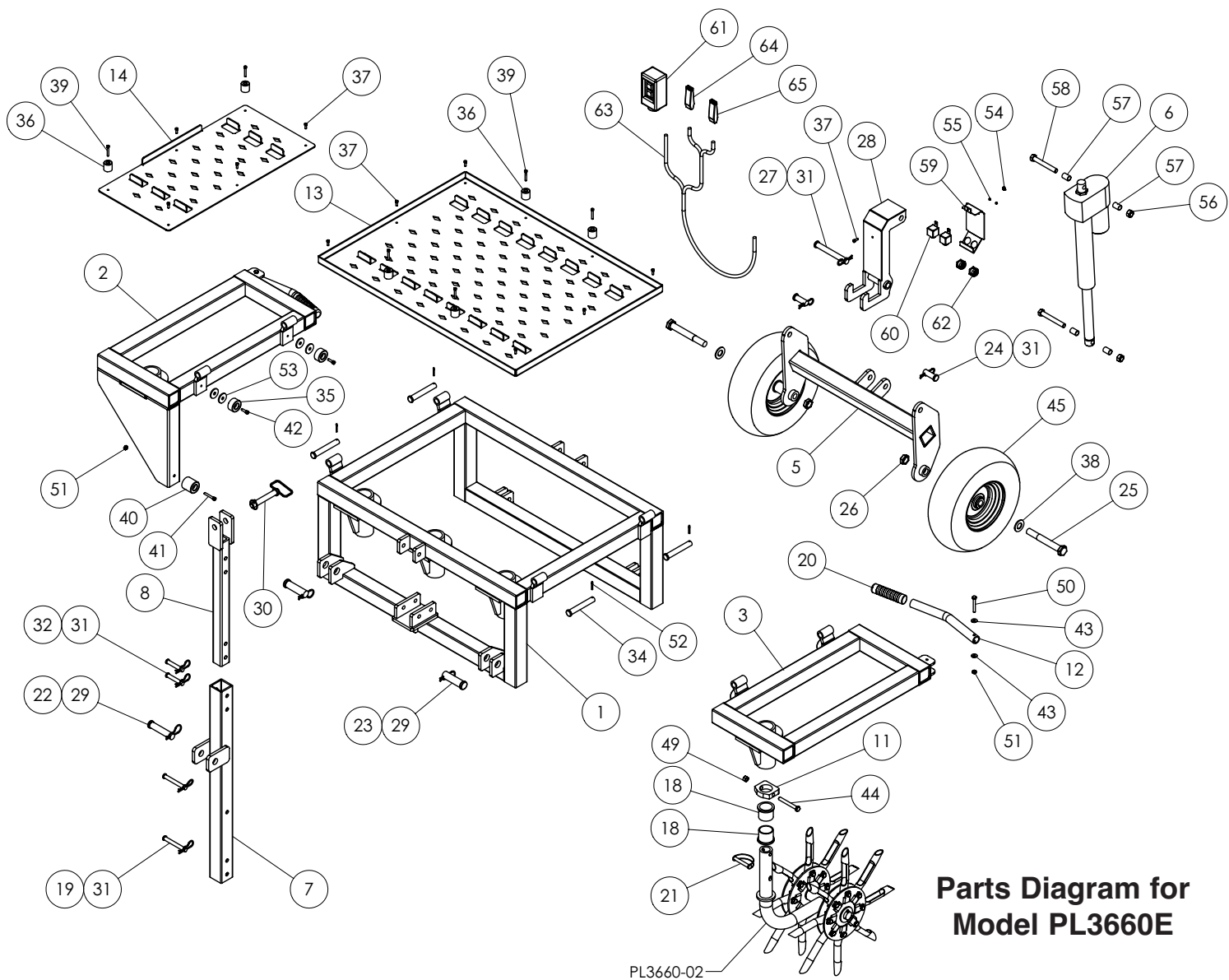


**Parts Diagram for
Model PL3660
Tine Attachment**



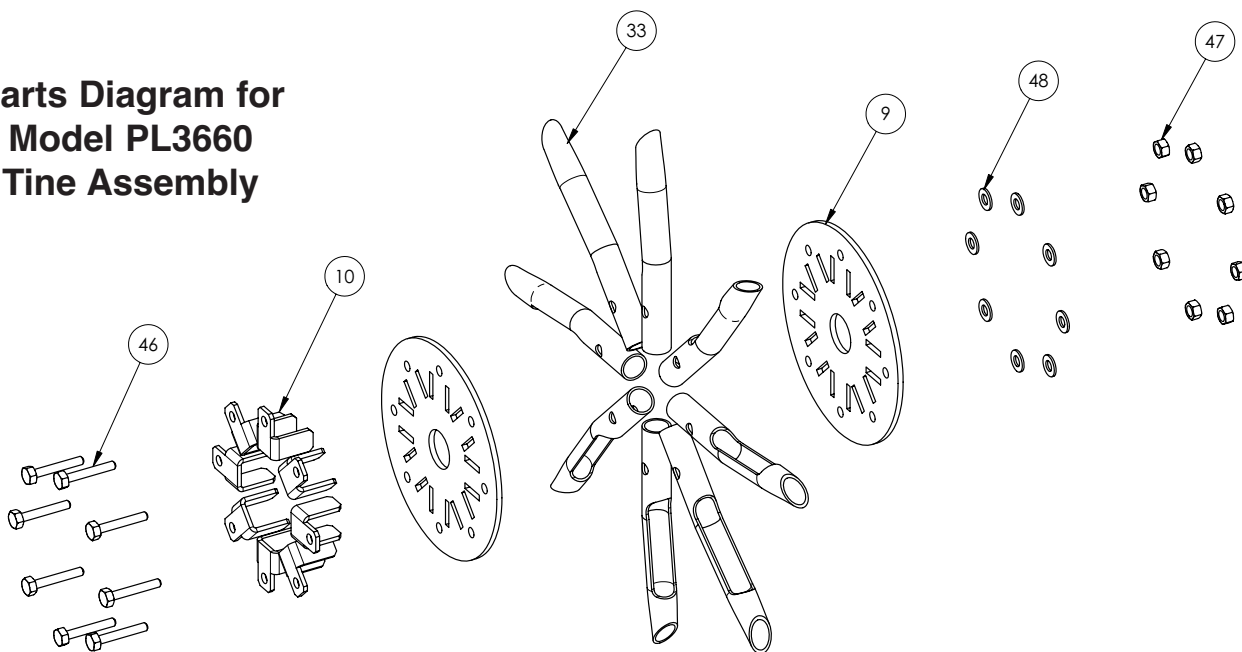
Parts List for Model PL3660M

ITEM #	PART #	REQ'D	DESCRIPTION	ITEM #	PART #	REQ'D	DESCRIPTION
1	1556	1	Base Frame Weldment	28	1583	1	Clevis Pin, 5/8" x 3.5"
2	1557	1	Left Wing Frame Weldment	29	1584	3	Hair Pin Cotter, 1/8" Dia for 3/4" to 7/8"
3	1558	1	Right Wing Frame Weldment	30	1585	1	Hitch Pin w/ Lynch Pin, 5/8" x 4.0"
4	1559	5	Tine Axle Weldment	31	1586	8	Hair Pin Cotter, 1/8" Dia for 7/16" to 5/8"
5	1560	1	Wheel Assembly	32	1587	2	Clevis Pin, 7/16" x 2.5"
6	1561	1	Jack Assembly	33	1588	80	Tine, 3/4" Closed Spoon 14 Ga
7	1562	1	Outer Tow Link	34	1589	4	Clevis Pin, 5/8" x 4.0"
8	1563	1	Inner Tow Link	35	1590	4	Rubber Bumper, 1.5" x 0.75" Th
9	1564	20	Tine Hub Plate	36	1591	8	Rubber Bumper, 1.0" x 1.0" Th
10	1565	80	Tine Hub C-Clip	37	1592	14	SHCS, 10-32 UNF x 0.5"
11	1566	5	Arm Swivel Stop	38	1593	2	Flat Washer, 3/4" SAE
12	1567	2	Wing Handle	39	1594	8	SHCS, 10-32 UNF x 1.25"
13	1568	1	Base Load Pan	40	1595	2	Rubber Bumper, 1.5" x 1.5" Th
14	1569	2	Wing Load Pan	41	1596	2	SHCS, 1/4-20 UNC x 1.5"
15	1570	20	Tine Shoulder Bushing	42	1597	4	SHCS, 1/4-20 UNC x 0.75"
16	1571	10	Flat Washer, 1.0" SAE	43	1598	4	Belleville Washer, .25" x .69" Th
17	1572	10	Cotter Pin, 1/8" x 1.5"	44	1599	5	Hex Bolt, 3/8-16 UNC x 3.0"
18	1573	10	Tine Arm Shoulder Bushing	45	1440	2	Wheel, 13"
19	1574	2	Clevis Pin, 7/16" x 3.5"	46	1248	80	Hex Head Bolt, 5/16-18 UNC x 1 3/4"
20	1575	2	Rubber Handle Grip	47	1016	80	Lock Nut, 5/16-18 UNC
21	1576	5	Lock Pin, 3/8" x 2.5"	48	1015	80	Flat Washer, 5/16"
22	1577	1	Clevis Pin, 3/4" x 3.5"	49	1045	5	Nylock Nut, 3/8-16 UNC
23	1578	2	Clevis Pin, 7/8" x 3.0"	50	1333	2	Hex Bolt, 1/4-20 UNC x 2"
24	1579	2	Clevis Pin, 5/8" x 1.75"	51	1029	4	Nylock Nut, 1/4-20 UNC
25	1580	2	Hex Bolt, 3/4-10 UNC x 5.5"	52	1523	4	Cotter Pin, 1/8" dia x 1"
26	1581	2	Jam Nut, 3/4-10	53	1178	8	Fender Washer, 5/16"
27	1582	1	Clevis Pin, 5/8" x 5.0"				

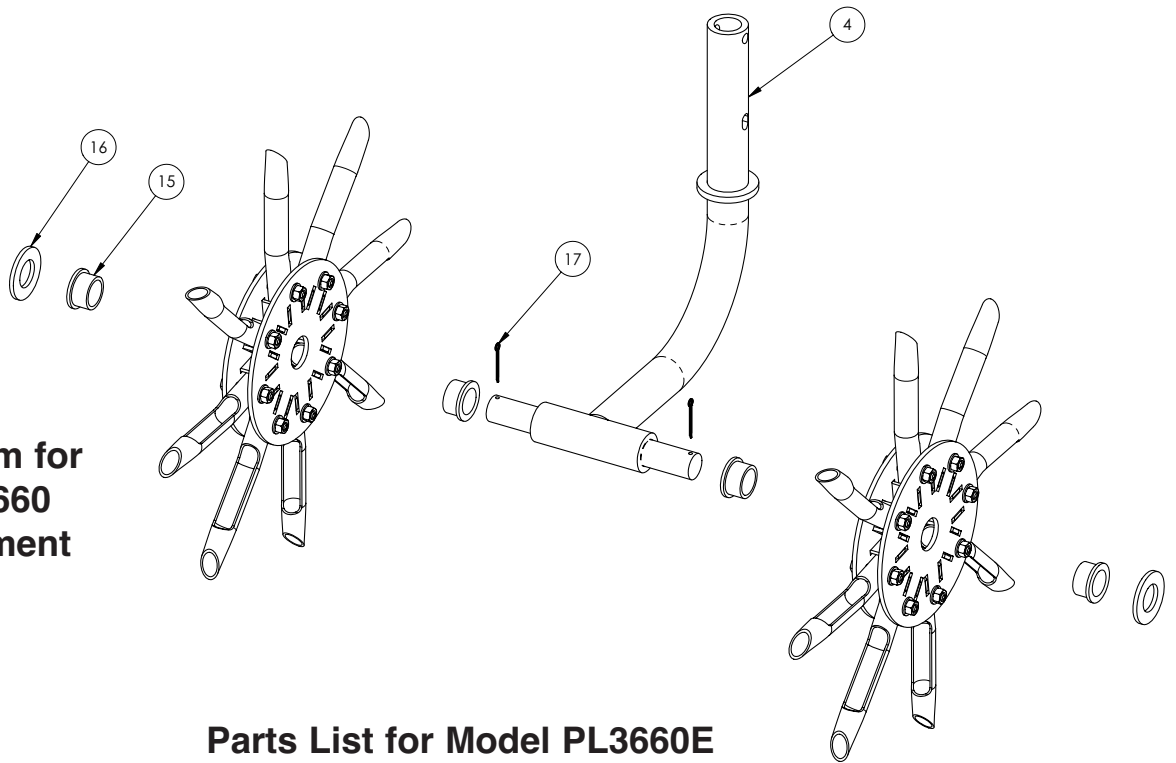


Parts Diagram for Model PL3660E

Parts Diagram for Model PL3660 Tine Assembly

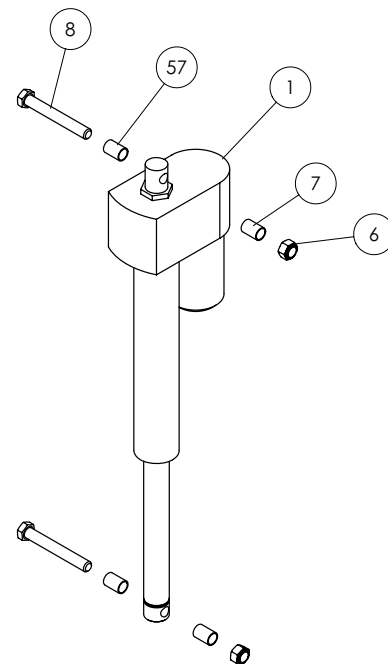
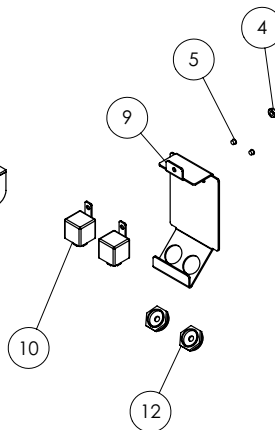
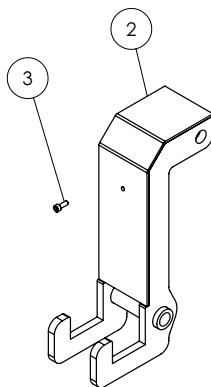
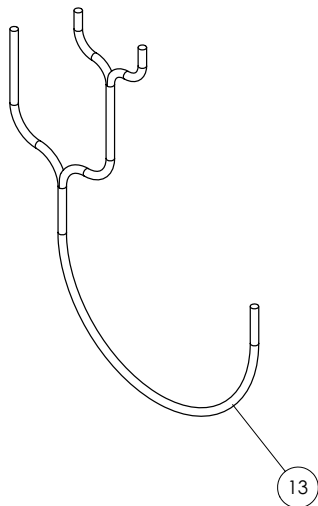
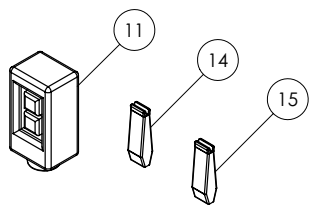


**Parts Diagram for
Model PL3660
Tine Attachment**



Parts List for Model PL3660E

ITEM #	PART #	REQ'D	DESCRIPTION	ITEM #	PART #	REQ'D	DESCRIPTION
1	1556	1	Base Frame Weldment	34	1589	4	Clevis Pin, 5/8" x 4.0"
2	1557	1	Left Wing Frame Weldment	35	1590	4	Rubber Bumper, 1.5" x 0.75" Th
3	1558	1	Right Wing Frame Weldment	36	1591	8	Rubber Bumper, 1.0" x 1.0" Th
4	1559	5	Tine Axle Weldment	37	1592	15	SHCS, 10-32 UNF x 0.5"
5	1560	1	Wheel Assembly	38	1593	2	Flat Washer, 3/4" SAE
6	1643	1	Actuator, Waner Liner B-Track	39	1594	8	SHCS, 10-32 UNF x 1.25"
7	1562	1	Outer Tow Link	40	1595	2	Rubber Bumper, 1.5" x 1.5" Th
8	1563	1	Inner Tow Link	41	1596	2	SHCS, 1/4-20 UNC x 1.5"
9	1564	20	Tine Hub Plate	42	1597	4	SHCS, 1/4-20 UNC x 0.75"
10	1565	80	Tine Hub C-Clip	43	1598	4	Belleville Washer, .25" x .69" Th
11	1566	5	Arm Swivel Stop	44	1599	5	Hex Bolt, 3/8-16 UNC x 3.0"
12	1567	2	Wing Handle	45	1440	2	Wheel, 13"
13	1568	1	Base Load Pan	46	1248	80	Hex Head Bolt, 5/16-18 UNC x 1 3/4"
14	1569	2	Wing Load Pan	47	1016	80	Lock Nut, 5/16-18 UNC
15	1570	20	Tine Shoulder Bushing	48	1015	80	Flat Washer, 5/16"
16	1571	10	Flat Washer, 1.0" SAE	49	1045	5	Nylock Nut, 3/8-16 UNC
17	1572	10	Cotter Pin, 1/8" x 1.5"	50	1333	2	Hex Bolt, 1/4-20 UNC x 2"
18	1573	10	Tine Arm Shoulder Bushing	51	1029	4	Nylock Nut, 1/4-20 UNC
19	1574	2	Clevis Pin, 7/16" x 3.5"	52	1523	4	Cotter Pin, 1/8" dia x 1"
20	1575	2	Rubber Handle Grip	53	1178	8	Fender Washer, 5/16"
21	1576	5	Lock Pin, 3/8" x 2.5"	54	1114	1	Lock Nut, 10-24 UNC
22	1577	1	Clevis Pin, 3/4" x 3.5"	55	1477	2	Rivet, 3/16" x 1/4"
23	1578	2	Clevis Pin, 7/8" x 3.0"	56	1269	2	Hex Nut, Nylock, 1/2-13
24	1579	2	Clevis Pin, 5/8" x 1.75"	57	1644	4	Actuator Spacing Sleeve
25	1580	2	Hex Bolt, 3/4-10 UNC x 5.5"	58	1645	2	Hex Bolt, 1/2-13 UNC x 3.75"
26	1581	2	Jam Nut, 3/4-10	59	1646	1	Electrical Cover
27	1582	1	Clevis Pin, 5/8" x 5.0"	60	1647	2	30 Amp Relay
28	1642	1	Electric Actuator Bracket	61	1648	1	Pushbutton Switch
29	1584	3	Hair Pin Cotter, 1/8" Dia for 3/4" to 7/8"	62	1649	2	1/2" NTP Strain Relief
30	1585	1	Hitch Pin w/ Lynch Pin, 5/8" x 4.0"	63	1650	1	PL3660 Control Cable
31	1586	7	Hair Pin Cotter, 1/8" Dia for 7/16" to 5/8"	64	1682	1	Alligator Clip, 30 Amp Black
32	1587	2	Clevis Pin, 7/16" x 2.5"	65	1863	1	Alligator Clip, 30 Amp Red
33	1588	80	Tine, 3/4" Closed Spoon 14 Ga				



Parts Diagram for Model PL3660ER Retrofit Kit

Parts List for Model PL3660ER

ITEM #	PART #	REQ'D	DESCRIPTION
1	1643	1	Actuator, Wamer Liner B-Track
2	1642	1	Electric Actuator Bracket
3	1592	1	SHCS, 10-32 UNF x 0.5"
4	1114	1	Lock Nut, 10-24 UNC
5	1477	2	Rivet, 3/16" x 1/4"
6	1269	2	Hex Nut, Nylock, 1/2-13
7	1644	4	Actuator Spacing Sleeve
8	1645	2	Hex Bolt, 1/2-13 UNC x 3.75"
9	1646	1	Electrical Cover
10	1647	2	30 Amp Relay
11	1648	1	Pushbutton Switch
12	1649	2	1/2" NTP Strain Relief
13	1650	1	PL3660 Control Cable
14	1682	1	Alligator Clip, 30 Amp Black
15	1683	1	Alligator Clip, 30 Amp Red

WARRANTY

LIMITED WARRANTY FOR PLUGR TURF AERATOR

For two full years from date of purchase and first use, SourceOne will replace for the original purchaser free of charge any parts of the machine (excluding engine, hydrostat, tines and belts) found upon examination by SourceOne or its approved agent to be defective in material or workmanship or both. This is the exclusive warranty.

All expedited transportation charges on parts submitted for replacement must be borne by purchaser. For warranty service contact the dealer from whom you purchased machine or the factory in Lincoln, Nebraska which reserves the right to examine the machine and make its own evaluation at its option. THERE IS NO OTHER EXPRESS WARRANTY. IMPLIED WARRANTIES, INCLUDING THOSE OF MERCHANTABILITY AND FITNESS FOR A PARTICULAR PURPOSE, ARE LIMITED TO ONE YEAR FROM DATE OF PURCHASE. TO THE EXTENT PERMITTED BY LAW ANY AND ALL IMPLIED WARRANTIES ARE EXCLUDED. LIABILITY FOR CONSEQUENTIAL DAMAGES UNDER ANY AND ALL WARRANTIES ARE EXCLUDED TO THE EXTENT EXCLUSION IS PERMITTED BY LAW. Some jurisdictions do not allow limitations on how long an implied warranty lasts, and some jurisdictions do not allow the exclusion or limitation of incidental or consequential damages, so the above limitation and exclusion may not apply to you. This warranty gives you specific legal rights and you may also have other rights, which may vary from jurisdiction to jurisdiction.