

**PL050
STEPSAVR**

**TS051
BRACKET**

**PL051
BRACKET**

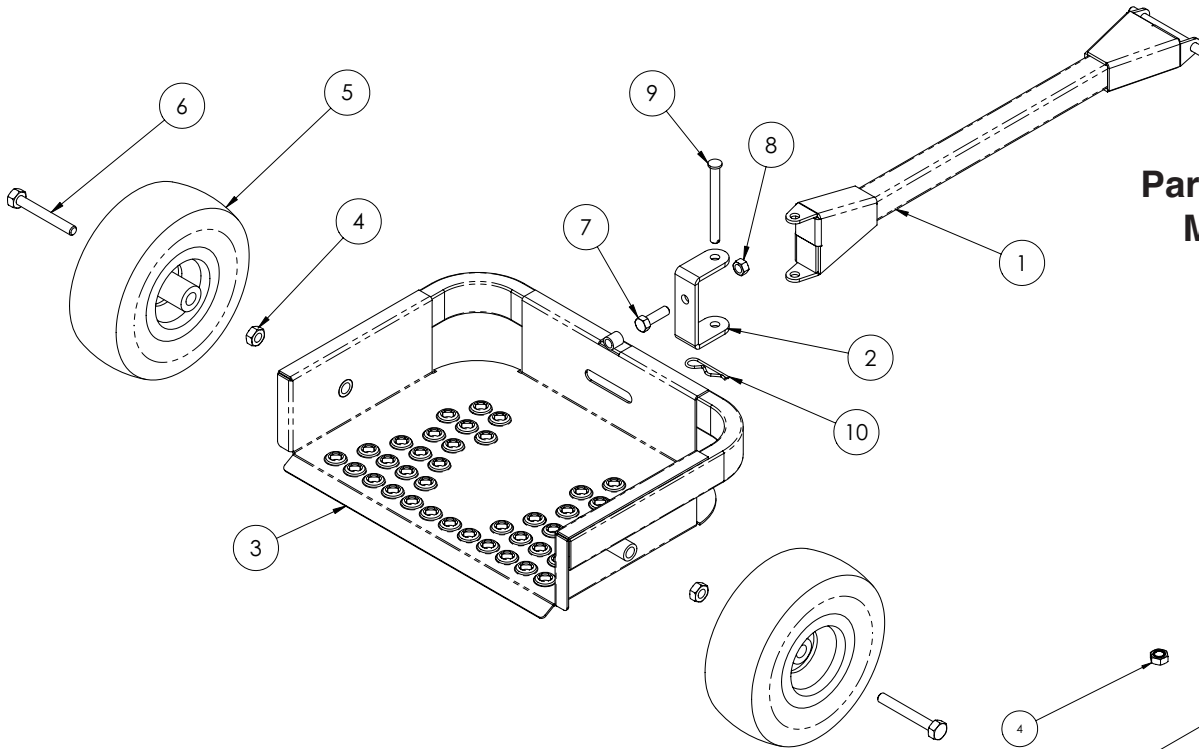
SERIAL NUMBER:

DATE PURCHASED:

INSTRUCTIONS AND PARTS MANUAL
PLUGR PL050 STEPSAVR SULKY



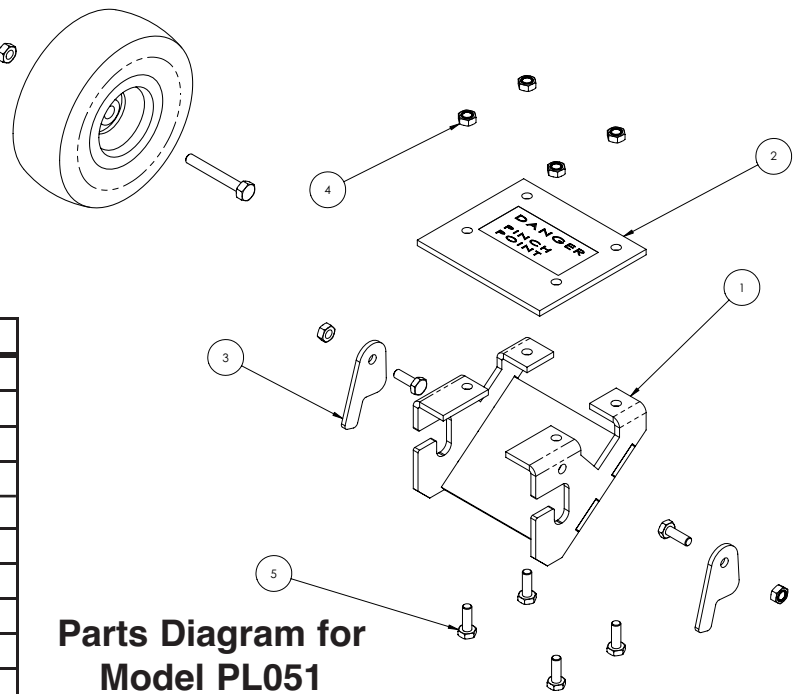
PLUGR is a registered trademark of SourceOne Inc., a subsidiary of IMSCORP, Lincoln, NE.
1030 SW 6th Street, Lincoln, NE 68522 • (888) 418-9065 • Fax (402) 474-6605
Website: www.sourceonex.com/plugr • Email: OPESales@sourceonex.com



Parts Diagram for Model PL050

Parts List for Model PL050

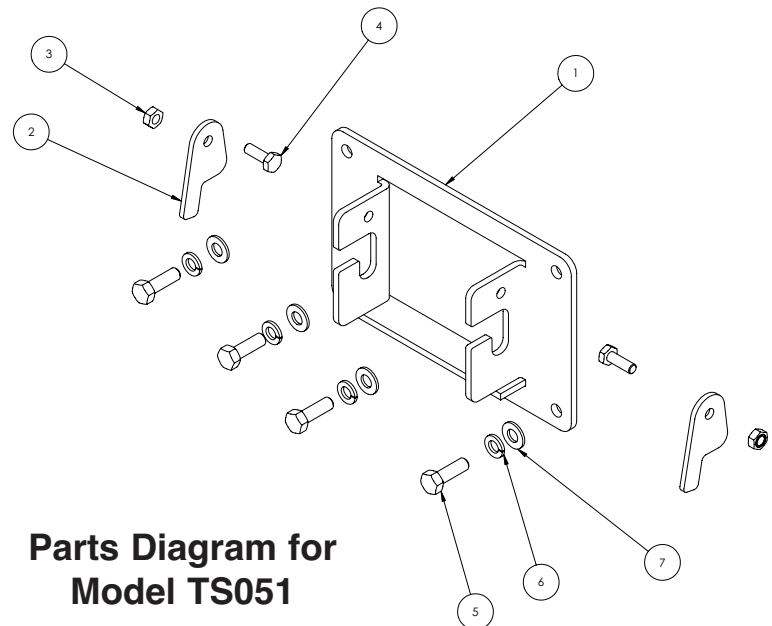
ITEM #	PART #	REQ'D	DESCRIPTION
1	1264	1	Towbar
2	1265	1	Clevis Bracket
3	1266	1	Platform
4	1110	2	Lock Nut, 5/8-11 UNC
5	1230	2	Tire
6	1255	2	Hex Head Bolt, 5/18-11 x 4 3/4"
7	1268	1	Hex Head Bolt, 1/2-13 x 2"
8	1269	1	Hex Nut, Nylock, 1/2"
9	1270	1	Clevis Pin, 1/2" x 5.0"
10	1271	1	Hair Pin Cotter



Parts Diagram for Model PL051

Parts List for Model PL051

ITEM #	PART #	REQ'D	DESCRIPTION
1	1261	1	Towbar Bracket
2	1262	1	Bracket Plate
3	1263	2	Towbar Bracket Keeper
4	1029	6	Nylock Nut, 1/4-20 UNC
5	1252	6	Hex Head Bolt, 1/4-20 UNC x 3/4"



Parts Diagram for Model TS051

Parts List for Model TS051

ITEM #	PART #	REQ'D	DESCRIPTION
1	1479	1	StepSavr Mounting Bracket - TS220
2	1263	2	Towbar Bracket Keeper
3	1029	2	Nylock Nut, 1/4-20 UNC
4	1252	2	Hex Head Bolt, 1/4-20 UNC x 3/4"
5	1184	4	Hex Bolt, 5/16-18 UNC x 1"
6	1504	4	5/16" Split Lock Washer
7	1015	4	Flat Washer 5/16"