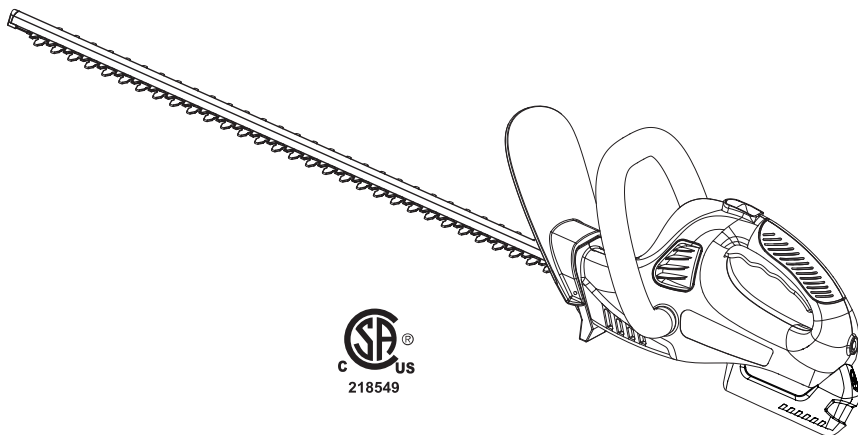



greenworks™

18V CORDLESS HEDGE TRIMMER

22032



Owner's Manual

TOLL-FREE HELPLINE: 1-888-90WORKS (888.909.6757)

 Read all safety rules and instructions carefully before operating this tool.

CONTENTS

Introduction.....	2
Product specifications.....	2
General Safety Rules.....	3-6
Symbols.....	7-8
Know your hedge trimmer.....	9
Assembly.....	10-11
Operation.....	12
Battery Charger.....	13-14
Maintenance.....	15
Environmentally Safe Battery Disposal.....	16
Troubleshooting.....	17
Warranty.....	18
Exploded View.....	19
Parts List.....	20
Notes.....	21

PRODUCT SPECIFICATIONS

18V CORDLESS HEDGE TRIMMER

Cutting Capacity.....	9/16"
Total Blade Length.....	22"
Cutting Strokes Per Minute.....	3,200 SPM
Blade Action.....	Dual Action
Type.....	Cordless, battery-operated
Weight.....	8.18 lbs. (3.72 Kg)

BATTERY PACK

Type.....	Nickel-cadmium rechargeable
Output voltage.....	18 V DC
Charging time.....	60-90 minutes



GENERAL SAFETY RULES

WARNING

Read and understand all instructions before using this product. Failure to follow all instructions listed below may result in electric shock, fire, and/or serious personal injury.

- For safe operation, read and understand all instructions before using this product. Be familiar with all controls and proper use of the machine. Follow all safety instructions. Failure to follow all safety instructions listed below, can result in serious personal injury.
- Do not allow children or untrained individuals to use this unit.
- Thoroughly inspect the area where the equipment is to be used and remove all foreign objects.
- Dress Properly — Do not wear loose clothing or jewelry. They can be caught in moving parts. Use of rubber gloves and substantial footwear is recommended when working outdoors. Wear protective hair covering to contain long hair.
- Wear safety glasses or goggles that are marked to comply with ANSI Z87.1 standard when operating this product.
- Secure long hair above shoulder level to prevent entanglement in moving parts.
- Keep all bystanders, children, and pets at least 50 ft. away.
- Stay Alert — Watch what you are doing; use common sense. Do not operate this unit when you are tired, ill, or under the influence of alcohol, drugs, or medication.
- Do not operate in poor lighting.
- Keep firm footing and balance. Do not overreach. Overreaching can result in loss of balance or exposure to hot surfaces.
- Keep all parts of your body away from any moving part.
- Inspect the unit before each use for loose fasteners, etc. Replace any damaged parts before use.
- Store Idle hedge trimmer Indoors — When not in use, product should be stored indoors in a dry, locked up place—out of the reach of children.
- When servicing use only identical replacement parts. Failure to do so may cause poor performance, possible injury, and will void your warranty.
- Do not, under any circumstance, use any attachment or accessory on this product which was not provided with the product or identified as appropriate for use with this product in the operator's manual.
- Avoid dangerous environments. Do not use the product in damp or wet locations. Do not use in rain.
- Use the right appliance. Do not use the hedge trimmer for any job except that for which it is intended.
- Do not use on steps, a ladder, or unstable support. Stable footing on a solid surface enables better control of the product in unexpected situations.
- Do not force the hedge trimmer. It will do the job better and with less likelihood of a risk of injury at the rate for which it was designed.

GENERAL SAFETY RULES

- **DANGER — Risk of Cut.** Keep hands away from cutting area. Keep both hands on handles when power is on.
- Keep hands away from blades. Do not reach underneath work or around or over the blade while blade is rotating. Do not attempt to remove cut material when blade is moving. Make sure hedge trimmer is off when clearing jammed materials from blades. Do not grasp the exposed cutting blades or cutting edges when picking up or holding the hedge trimmer.
- **CAUTION —** Blade coasts after being turned off.
- **Disconnect Hedge Trimmer —** Always stop the motor and disconnect from power supply when not in use, before attempting to remove any obstruction caught or jammed in the blade, or before removing and installing the blade.
- Maintain hedge trimmer with care. Keep cutting edge sharp and clean for best performance and to reduce the risk of injury. Follow instructions for lubricating and changing accessories. Keep handles dry, clean, and free from oil and grease.
- Check damaged parts. Before further use of the hedge trimmer, a guard or other part that is damaged should be carefully checked to determine that it will operate properly and perform its intended function. Check for alignment of moving parts, binding of moving parts, breakage of parts, mounting, and any other condition that may affect its operation. A guard or other part that is damaged should be properly repaired or replaced by an authorized service center unless indicated elsewhere in this manual.
- Battery tools do not have to be plugged into an electrical outlet; therefore, they are always in operating condition. Be aware of possible hazards when not using your battery tool or when changing accessories. Following this rule will reduce the risk of electric shock, fire, or serious personal injury.
- Do not charge battery tool in rain, or damp or wet location. Following this rule will reduce the risk of electric shock.
- Do not use battery-operated appliance in rain.
- Remove or disconnect battery before servicing, cleaning or removing material from the gardening appliance.
- Use only this type and size batteries (Model #29232.)
- Store idle appliances - When not in use, hedge trimmer should be stored indoors in a dry, locked place out of the reach of children.
- Do not dispose of the batteries in a fire. The cell may explode. Check with local codes for possible special disposal instructions.
- Do not open or mutilate the batteries. Released electrolyte is corrosive and may cause damage to the eyes or skin. It may be toxic if swallowed.
- Do not place battery tools or their batteries near fire or heat. This will reduce the risk of explosion and possibly injury.
- Batteries can explode in the presence of a source of ignition, such as a pilot light. To reduce the risk of serious personal injury, never use any cordless product in the presence of open flame. An exploded battery can propel debris and chemicals. If exposed, flush with water immediately.
- Do not crush, drop or damage battery pack. Do not use a battery pack or charger that has been dropped or received a sharp blow. A damaged battery is subject to explosion. Properly dispose of a dropped or damaged battery immediately.

GENERAL SAFETY RULES

- Exercise care in handling batteries in order not to short the battery with conducting materials such as rings, bracelets, and keys. The battery or conductor may overheat and cause burns.
- For best results, your battery tool should be charged in a location where the temperature is more than 50°F but less than 100°F. To reduce the risk of serious personal injury, do not store outside or in vehicles.
- Under extreme usage or temperature conditions, battery leakage may occur. If liquid comes in contact with your skin, wash immediately with soap and water, then neutralize with lemon juice or vinegar. If liquid gets into your eyes, flush them with clean water for at least 10 minutes, then seek immediate medical attention. Following this rule will reduce the risk of serious personal injury.
- Save these instructions. Refer to them frequently and use them to instruct others who may use this power tool. If you loan someone this power tool, loan them these instructions also.
- Use non-slip, heavy-duty protective gloves when operating the hedge trimmer and when installing or removing blades.
- Replace any blade that has been damaged. Always make sure blade is installed correctly and securely fastened before each use. Failure to do so can cause serious injury.
- Never cut any material over 9/16 in. diameter.
- Maintain a firm grip on both handles while cutting with a blade. Keep the blade away from body.
- Know how to stop the unit quickly in an emergency.
- Do not use hedge trimmer without front handles in place. Keep both hands on handles when the unit is in use.
- If hedge trimmer is equipped with a clipping deflector, do not use the clipping deflector as a gripping surface.
- Service on the product must be performed by qualified repair personnel only. Service or maintenance performed by unqualified personnel could result in injury to the user or damage to the product.
- Save these instructions. Refer to them frequently and use them to instruct others who may use this tool. If you loan someone this tool, loan them these instructions also to prevent misuse of the product and possible injury.

GENERAL SAFETY RULES

CHILD SAFETY

Tragic accidents can occur if the operator is not aware of the presence of children.

- Keep children out of the working area and under the watchful care of a responsible adult.
- Do not allow children under the age of 14 to operate this hedger. Children who are 14 years of age and older must read and understand the operating instructions and safety rules in this manual and must be trained and supervised by a parent.
- Stay alert, and turn the hedger off if a child or any other person enters the working area.
- Look behind and down for small children before and while cutting backwards.
- Use extreme care when approaching blind corners, doorways, shrubs, trees, or other objects that may obscure your view of a child who may run into the path of the hedger.

WARNING (PROPOSITION 65)










Some dust created by power sanding, sawing, grinding, drilling, and other construction activities contains chemicals known to cause cancer, birth defects or other reproductive harm. Some examples of these chemicals are:

- Lead from lead-based paints
- Crystalline silica from bricks and cement and other masonry products, and
- Arsenic and chromium from chemically treated lumber.

Your risk of exposure to these chemicals varies depending on how often you do this type of work. To reduce your exposure to these chemicals, work in a well-ventilated area, and work with approved safety equipment, such as dust masks that are specially designed to filter out microscopic particles.




SYMBOLS

Some of the following symbols may be used on this product. Please study them and learn their meaning. Proper interpretation of these symbols will allow you to operate the product better and safer.

SYMBOL	NAME	DESIGNATION/EXPLANATION
V	Volts	Voltage
A	Amperes	Current
Hz	Hertz	Frequency (cycles per second)
W	Watts	Power
min	Minutes	Time
~	Alternating Current	Type of current
—	Direct Current	Type or a characteristic of current
	No Load Speed	Rational speed, at no load
/min	Per Minute	Revolutions, strokes, surface speed, orbits etc., per minute
	Wet Conditions Alert	Do not expose to rain or use in damp locations
	Read The Operator's Manual	To reduce the risk of injury user must read and understand operator's manual before using this product.
	Eye Protection	Wear eye protection when operating this equipment.
	Safety Alert	Precautions that involve your safety.
	Operate With Two Hands	Hold and operate the hedge trimmer properly with both hands
	Sharp Blade	Do not install or use any type of blade on a product displaying this symbol.
	Keep Bystanders Away	Keep all bystanders at least 50 ft. away.
	Risk of Electrocution	DANGER! Risk of electrocution!

SYMBOLS

The following signal words and meanings are intended to explain the levels of risk associated with this product.

SYMBOL	SIGNAL	MEANING
	DANGER	Indicates an imminently hazardous situation, which, if not avoided, will result in death or serious injury.
	WARNING	Indicates a potentially hazardous situation, which, if not avoided, could result in death or serious injury.
	CAUTION	Indicates a potentially hazardous situation, which, if not avoided, may result in minor or moderate injury.
	CAUTION	(Without Safety Alert Symbol) Indicates a situation that may result in property damage.

SERVICE

Servicing requires extreme care and knowledge and should be performed only by a qualified service technician. For service we suggest you return the product to your nearest **AUTHORIZED SERVICE CENTER** for repair. When servicing, use only identical replacement parts.

WARNING

To avoid serious personal injury, do not attempt to use this product until you have read this Owner's Manual thoroughly and understand it completely. If you do not understand the warnings and instructions in this Owner's Manual, do not use this product. Call the Toll-free Helpline (1-888-909-6757) for assistance. The operation of any power tool can result in foreign objects being thrown into your eyes, which can result in severe eye damage. Before operating a power tool, always wear safety goggles, safety glasses with side shields, or a full face shield when needed. We recommend a Wide Vision Safety Mask for use over eyeglasses or standard safety glasses with side shields. Always use eye protection that is marked to comply with ANSI Z87.1.

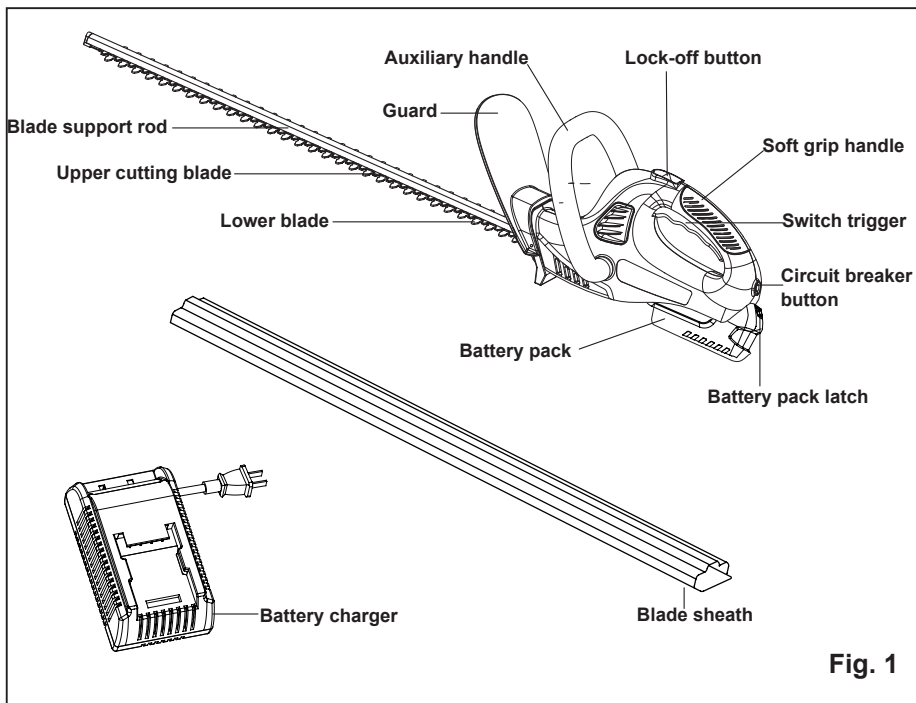
WARNING



The operation of any power tool can result in foreign objects being thrown into your eyes, which can result in severe eye damage. Before beginning power tool operation, always wear safety goggles or safety glasses with side shields and, when needed, a full face shield. We recommend Wide Vision Safety Mask for use over eyeglasses or standard safety glasses with side shields. Always use eye protection which is marked to comply with ANSI Z87.1.

SAVE THESE INSTRUCTIONS

KNOW YOUR HEDGE TRIMMER



KNOW YOUR HEDGE TRIMMER (See Figure 1.)

The safe use of this product requires an understanding of the information on the product and in this operator's manual as well as a knowledge of the project you are attempting. Before use of this product, familiarize yourself with all operating features and safety rules.

GUARD

The guard helps to deflect chips or other debris away from the operator's hands.

SWITCH TRIGGER

The switch trigger, located beneath the rear handle, and the lock-off button, located behind the auxiliary handle, must be depressed simultaneously to allow blade rotation.

ASSEMBLY

BATTERY

IMPORTANT! The battery pack is not charged when it is purchased. Before using the hedge trimmer for the first time, place the battery pack in the battery charger and charge for 24 hours. Make sure to read all safety precautions, and follow the instructions in the Battery Charger section. With regular use, it will need shorter charging time. If storing for a prolonged period of time, remove the battery. When ready to use again, charge the battery pack for at least 24 hours again. Nickel-cadmium batteries can develop a memory for usages and storage time.

To remove (See Figure 2.)

1. Press the battery release button found at rear of battery.
2. Grasp the trigger handle (2) firmly. Pull the battery pack out of the handle.

NOTE: The battery pack fits snugly into the handle to prevent accidental dislodging. It may require a strong pull to remove.

To install (See Figure 2.)

1. Align the tongue (3) of the battery pack with the cavity in the handle housing.
2. Grasp the handle (2) firmly.
3. Push the battery pack into the handle until the battery release latch (1) has engaged and locked.
4. Do not use force when inserting the battery pack. It should slide into place and click.

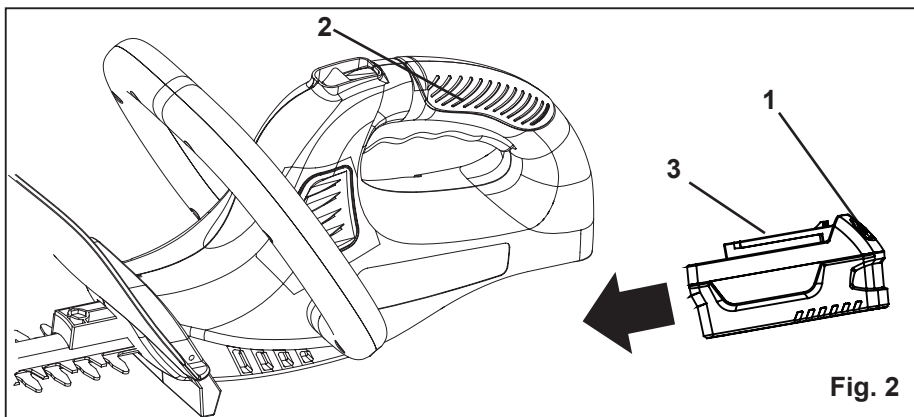


Fig. 2

BLADE

IMPORTANT! DO NOT remove the blade assembly unless it needs sharpening, straightening, or replacing. Take it to a qualified person for repair.

ASSEMBLY

⚠ WARNING

To avoid injury and to reduce the risk of electrical shock or fire:

- Replace the battery pack or charger immediately if the battery case or charger cord is damaged.
 - Always make sure the hedge trimmer switch is OFF before inserting or removing the battery pack.
 - Always make sure the battery pack is removed and the switch turned OFF, before inspecting, adjusting, or maintaining any other part of the hedge trimmer.
 - Read, understand, and follow the Battery Charger instructions.
-

⚠ WARNING

To avoid personal injury:

- Handle the blade with care.
- Do not place your fingers or hand between the notches in the blade or in any position where they could get pinched or cut.
- Never service the blade or hedge trimmer unless the battery pack is removed.
- Do not use if the blade assembly is damaged or bent. Take to a qualified person to straighten, replace, or sharpen.
- Always keep both hands on the hedge trimmer handles to prevent your hand from touching the blade.

IMPORTANT! Lubricate the blade before and after each use. Ignoring this step will decrease blade life and hamper operation. (See the Maintenance Section)

The plastic sheath protects persons from injury and protects the blade from damage when the hedge trimmer is not in use. (See Figure 3.)

- Slide the sheath (1) onto the blade, placing the sheath on the same side as the support bar (2).

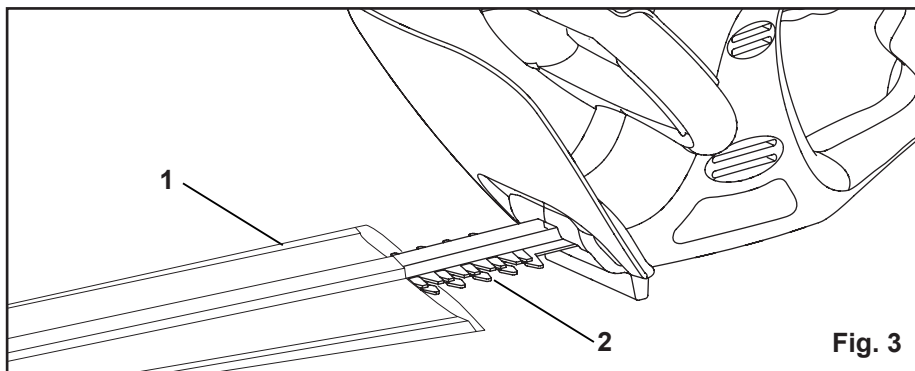


Fig. 3

OPERATION

ON/OFF SWITCHES & CIRCUIT-BREAKER (See Figure 4.)

The hedge trimmer has two switch controls and a lock-OFF button used together to prevent accidental start-ups or injury.

1. Place one hand on the trigger handle (1). Place the other hand on the Auxiliary handle (2).
2. Slide the lock-OFF button (4) toward the rear of the handle and hold.
3. Squeeze the trigger switch (3). The hedge trimmer will turn ON.
4. Release the lock-OFF button. The hedge trimmer will stay on as long as the trigger handle the trigger switch are squeezed ON.
5. The hedge trimmer will stop if you release either the trigger handle. Holding both switches with both hands is required to keep the hedge trimmer ON.

IMPORTANT: If the hedge trimmer is accidentally dropped, the hedge trimmer will turn OFF and the blade will coast to a stop after several seconds. The hedge trimmer will then be locked OFF again.

NOTE: The hedge trimmer has a manual reset Circuit breaker button (5). If the motor over current for any reason, the Circuit breaker button (5) will trip to shut off the motor. The Circuit breaker button (5) must be press-in before start this hedge trimmer.

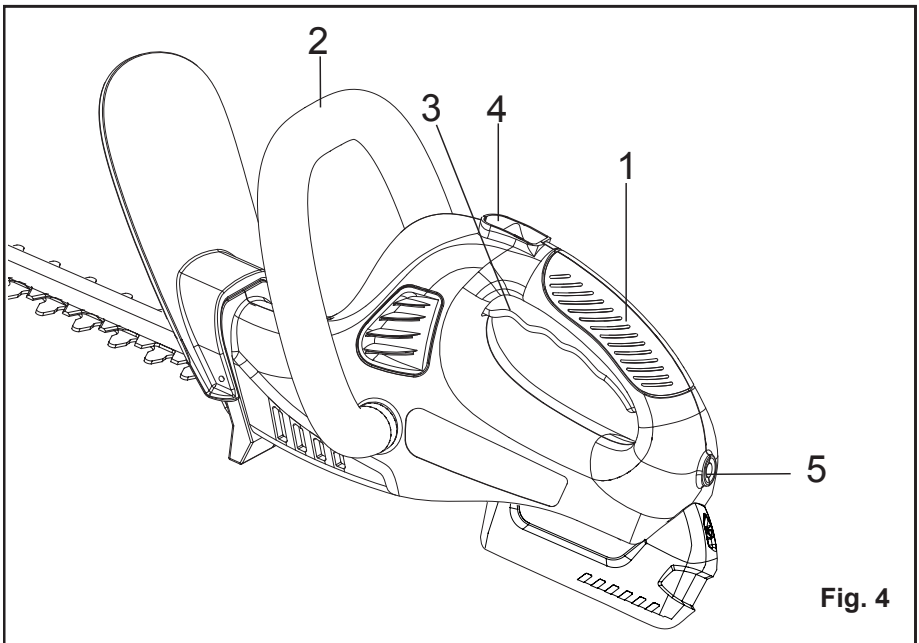


Fig. 4

BATTERY CHARGER

CHARGING PROCEDURE (See Figure 5.)

With regular use, the battery pack will need 90 MINUTES or less to fully charge. Allow the battery to fully discharge before recharging. It is recommended to charge the battery pack every 3 months when not in use.

1. Plug the charger into an AC power outlet.
2. Insert the battery pack (3) into the charge, the power LED (1) will turn red. Make sure the latch and battery are fully inserted into the charger.
3. Wait 5 seconds, the status LED (2) will turn red, indicating a connection to the power source and that the battery is charging.
4. When the battery has become fully charged, the status LED (2) will turn green. The battery can be stored in the charger, as long as the charger is not plugged in.

NOTE: During charging operation if the Status LED begins to flash red, indicating that the battery requires replacing.

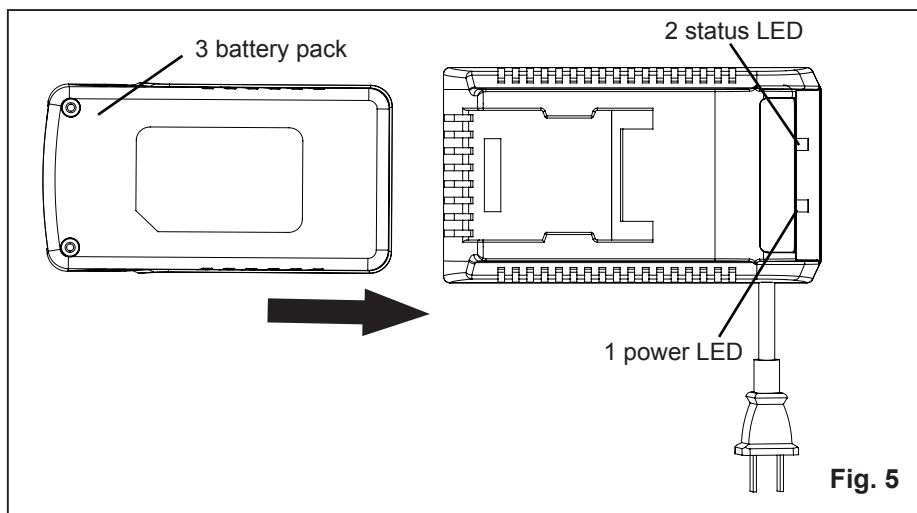


Fig. 5

CHECKING THE CHARGE

If the battery pack does not charge properly:

- Check the current at the power outlet with another tool. Make sure that the outlet is not turned off.
- Check that the charger contacts have not been shorted by debris or foreign material.
- If the surrounding air temperature is not normal room temperature, move the charger and battery pack to a location where the temperature is between 50°F and 100°F .

BATTERY CHARGER

⚠ WARNING

If the battery is inserted into the charger when warm or hot the CHECK BATTERY indicator light may switch on. If this occurs allow the battery to cool outside of the charger for 30 minutes.

CHARGER MAINTENANCE

- Keep the charger clean and clear of debris. Do not allow foreign material into the recessed cavity or on the contacts. Wipe with a dry cloth. Do not use solvents, water, or place in wet conditions.
- Always unplug the charger when there is no battery pack in it.
- Give the batteries a full charge before placing in storage. Do not recharge a fully charged battery pack. Overcharging shortens the battery life.
- Recharge the battery pack anytime you notice there is less power. Never let the batteries become completely discharged.
- Keep the charger stored in normal room temperature. Do not store it in excessive heat. Do not use in direct sunlight. Always recharge in a room temperature of 50°F to 100°F. If the battery pack is hot, let it cool down before recharging.
- Disconnect the charger from the AC power outlet when not in use and once battery has reached a full charge.

CHARGER MOUNTING (See Figure 6.)

1. This charger can be installed hanging on a wall using two screws (not supplied)
2. Locate the placement for the charger to be wall mounted.
3. If fastening to wood studs use 2 wood screws.
4. Drill two holes 2 3/8" on center. Ensure they are level.
5. If fastening to drywall use wall anchors and screws to secure the charger to the wall.

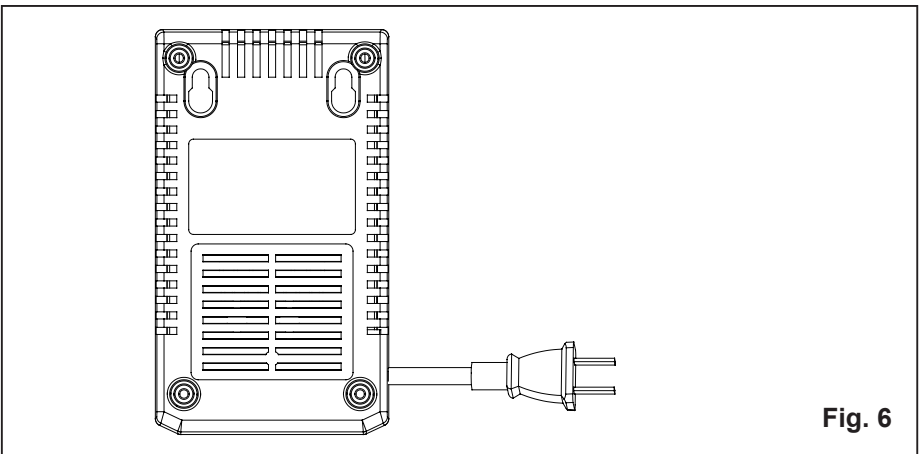


Fig. 6

MAINTENANCE

WARNING

To avoid risk of fire, electric shock, or electrocution:

- Do not use a damp cloth or detergent on the battery or battery charger.
 - Always remove the battery pack before cleaning, inspecting, or performing any maintenance on the hedge trimmer.
-

BATTERY PACK

- Store the battery pack fully charged.
 - Recharge the battery pack anytime you notice there is less power. Never let the battery pack become completely discharged.
 - Never recharge a battery pack that is already fully charged. Overcharging shortens the battery life.
 - Always recharge at a temperature of 50°F to 100°F. If the battery pack is hot, let it cool down before recharging.
 - After charging, the battery pack may be stored in the charger as long as the charger is not plugged in.
-

CAUTION

Do not use strong solvents or detergents on the plastic housing or plastic components. Certain household cleaners may damage and may also cause a shock hazard.

ENVIRONMENTALLY SAFE BATTERY DISPOSAL



The following toxic and corrosive materials are in the batteries used in this hedge trimmer battery pack: **Cadmium, a toxic material.**

W A R N I N G

All toxic materials must be disposed of in a specified manner to prevent contamination of the environment. Before disposing of damaged or worn out nickelcadmium battery packs, contact your local waste disposal agency, or the local Environmental Protection Agency for information and specific instructions. Take the batteries to a local recycling and/or disposal centre, certified for cadmium disposal.

W A R N I N G

If the battery pack cracks or breaks, with or without leaks, do not recharge it and do not use. Dispose of it and replace with a new battery pack. **DO NOT ATTEMPT TO REPAIR IT!** To avoid injury and risk of fire, explosion, or electric shock, and to avoid damage to the environment:

- Cover the battery's terminals with heavy-duty adhesive tape.
 - DO NOT attempt to remove or destroy any of the battery pack components.
 - DO NOT attempt to open the battery pack.
 - If a leak develops, the released electrolytes are corrosive and toxic. DO NOT get the solution in the eyes or on skin, and do not swallow it.
 - DO NOT place these batteries in your regular household trash.
 - DO NOT incinerate.
 - DO NOT place them where they will become part of any waste landfill or municipal solid waste stream.
 - Take them to a certified recycling or disposal centre.
-

TROUBLESHOOTING

PROBLEM	POSSIBLE CAUSE	SOLUTION
Motor fails to start when switch trigger is depressed.	Battery is not secure.	To secure the battery pack, make sure the latches on the top of the battery pack snap into place.
	Battery is not charged.	Charge the battery pack according to the instructions included with your model.
Motor runs, but cutting blades do not move.	Hedge trimmer damaged. Do not use hedge trimmer.	Call for technical service.
Hedge trimmer smokes during operation.	Hedge trimmer damaged. Do not use hedge trimmer.	Call for technical service.

LIMITED FOUR-YEAR WARRANTY



GREENWORKS™ hereby warrants this product, to the original purchaser with **proof of purchase**, for a period of four (4) years against defects in materials, parts or workmanship. GREENWORKS™, at its own discretion will repair or replace any and all parts found to be defective, through normal use, free of charge to the customer. This warranty is valid only for units which have been used for personal use that have not been hired or rented for industrial/commercial use, and that have been maintained in accordance with the instructions in the owners' manual supplied with the product from new.

Battery carries a one (1) year warranty against defects in workmanship and materials. Batteries must be charged in accordance with the operator's manuals directions and regulations in order to be valid.

ITEMS NOT COVERED BY WARRANTY:

1. Any part that has become inoperative due to misuse, commercial use, abuse, neglect, accident, improper maintenance, or alteration; or
2. The unit, if it has not been operated and/or maintained in accordance with the owner's manual; or
3. Normal wear, except as noted below;
4. Routine maintenance items such as lubricants, blade sharpening;
5. Normal deterioration of the exterior finish due to use or exposure.

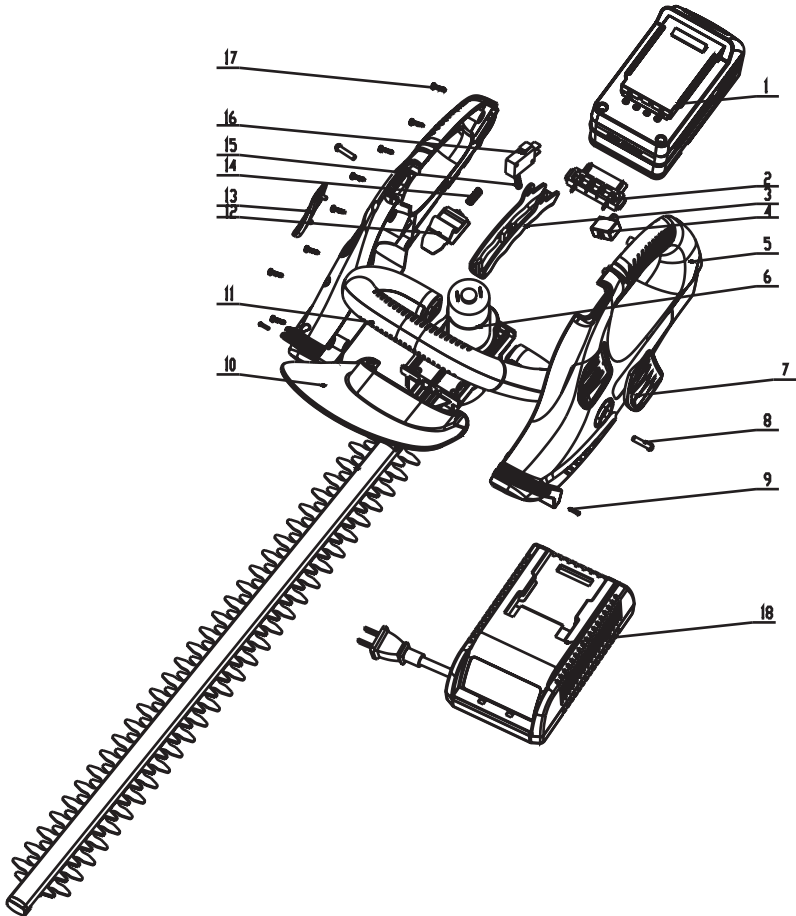
GREENWORKS HELPLINE (1 888 90WORKS):

Warranty service is available by calling our toll-free helpline, 9am to 5pm EST. Monday – Friday at **1-888-909-6757 (1-888-90WORKS)**.

TRANSPORTATION CHARGES:

Transportation charges for the movement of any power equipment unit or attachment are the responsibility of the purchaser. It is the purchaser's responsibility to pay transportation charges for any part submitted for replacement under this warranty unless such return is requested in writing by GREENWORKS.

EXPLODED VIEW



PARTS LIST

ITEM NO.	PART NO.	DESCRIPTION	QTY
1	31102906	18V battery	1
2	34106177	Connector	1
3	3410887-3	Switch trigger	1
4	3690111	Overload protector	1
5	3110187-3	Housing	1
6	3110387	Motor and blade assy.	1
7	3410587-2	Left venting	1
8	3220848	Bolt	2
9	3220203	Screw	2
10	3410711-3	Guard	1
11	3110287-3	Auxiliary handle	1
12	3410787-3	Lock-off button	1
13	3410687-2	Right venting	1
14	3330523	Self-lock button spring	1
15	3340111	Switch board spring	1
16	3630111	Micro switch	1
17	3220108	Screw	8
18	31101916	18V Ni-cad charger	1



TOLL-FREE HELPLINE: 1-888-90WORKS (888.909.6757)

Rev: 00 (11-20-09)



Printed in China on 100% Recycled Paper